

Infra Red Remote Control Motorized Electronic Trigger Release Set



Attaches Directly to Hyskore® #30013 Dangerous Game® Machine Rest

Introduction: The Hyskore® Electronic Trigger Release is designed to remove any human contact from the process of pulling the trigger while calibrating a rifle. The motorized drive unit is controlled by an infrared remote, just like a television controller, and will function from up to 10 Ft. (3 Meters). The unit is designed to attach directly to the Hyskore® # 30013 Dangerous Game® Machine Rest.

The clamp will allow the device to be used with almost any long gun on almost any rest with the exception of lever actions.

As a safety precaution it is strongly recommended that the gun be loaded one cartridge at a time and remain unloaded until immediately prior to the point when it is to be fired. The user should always wear appropriate ear and eye protection.

In the course of shipping and packing, parts may end up missing or damaged- call us at 631.673.5975. 8:30 a.m. - 5:00 p.m. Eastern Time. We will promptly send replacements.

Operation

The push bar has a maximum extension of 3" inches, travels at a rate of 1" inch per 10 +/- seconds and can exert a maximum force of 10.5 +/- Lbs.(5.0 kg). In order to prevent damage to the drive it will automatically reverse at 10.5 +/- Lbs.(5.0 kg). In addition, it will also auto reverse and return to the default position within 1-2 seconds after the button on the controller is released. This way pressure is immediately relieved from the trigger. In both instances the push bar will return to the default position. The default position can be set at any point by simply using the controller to move the push bar to the desired position then pushing the other button (at the same time) at the new default position.

The controller uses infrared technology and operates line of sight. The sensor on the motor drive is mounted at 45° to allow the user to stand in a 45° +/- radius from any point behind the drive unit to the side of the unit.

After the motor drive unit is mounted, the user is wearing ear and eye protection, in a safe position behind the gun, and is ready to fire, load the gun with one cartridge only. Step back, aim the controller at the drive unit and hold the appropriate button. The push bar will engage the trigger and fire the gun. If you release the button, the bar will return to the default position, if you continue to hold the button and the force exceeds 10.5 +/- Lbs.(5.0 kg), the push bar will automatically return to the default position.

There are no user serviceable parts or adjustments of any nature. Tampering with or immersion (like dropping it into a bucket of water, etc.) of either the drive unit or the controller will void any warranty. The push bar can be rotated only 5° +/- . Therefore adjust the height of the mounting bolts to insure correct trigger contact. Turning or twisting the push bar will result in damage to the motor drive and will void any warranty.

Make certain the gun is unloaded when making any Adjustments.

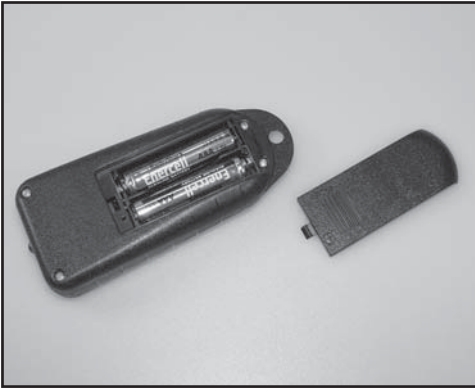
Load only one round at a time immediately prior to firing.

This device has only a few moving parts, no sharp edges, is non toxic, too large to swallow, and operates on low voltage. It is perfectly safe when used for it's intened purpose. Just like a carving knife or a book of matches, if you do something dumb, bad things can happen.

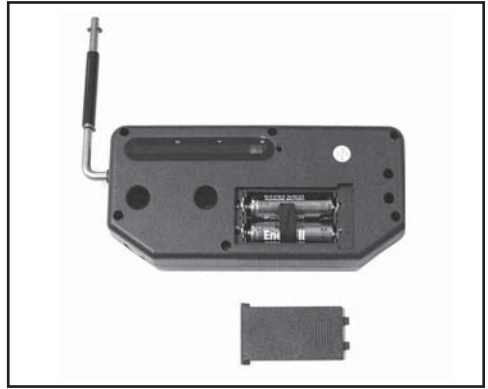
Important Information

1. After about one hour of inactivity the drive will automatically turn itself off to conserve batteries.
2. Both the drive and control units are dependant on correct voltage. Fresh batteries will correct almost every operational issue.
3. The remote must be aimed directly at the IR sensor window. At distances up to about 10 ft this is easy. Beyond 10 ft. you will experience sporadic operation due to signal strength and inability to aim directly and continuously at the sensor window.
4. If you leave the immediate vicinity of your gun or move from directly behind your gun double check to make certain it is unloaded and the action is open.

Install Batteries



Activator



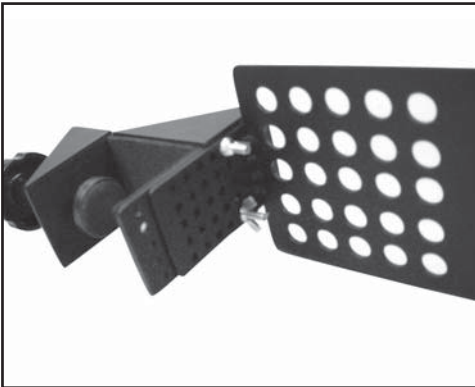
Motor Drive Unit

A) Install the batteries as indicated on each device. Note: On the drive unit they all face the same direction (4 AA Batteries). The controller requires 2 AAA batteries.

B) Both components are voltage sensitive. Fresh batteries will solve almost every operational issue.

Clamp Assembly

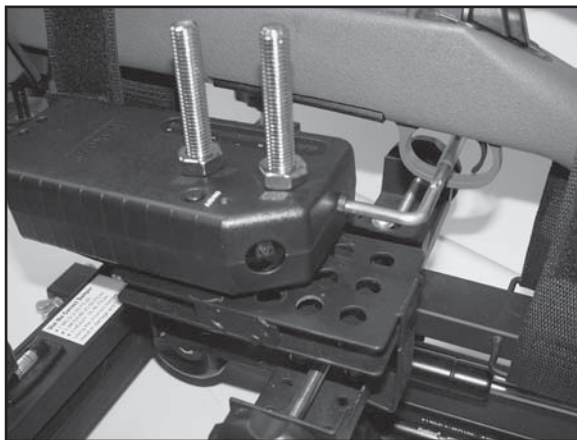
The Clamp is Reversible & Adjustable



Mounting to the #30013 Dangerous Game Machine Rest

The Drive Will Mount Directly To The Trigger Release Platform.

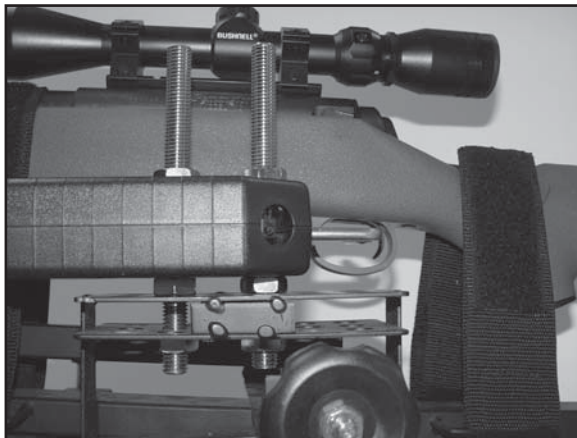
1



The mounting holes in the drive unit align with the holes in the trigger release bracket on the Dangerous Game[®] Machine Rest. The hardware supplied with the Dangerous Game[®] Machine Rest can be used to mount the electronic trigger release.

Make certain the gun is unloaded until ready to fire!

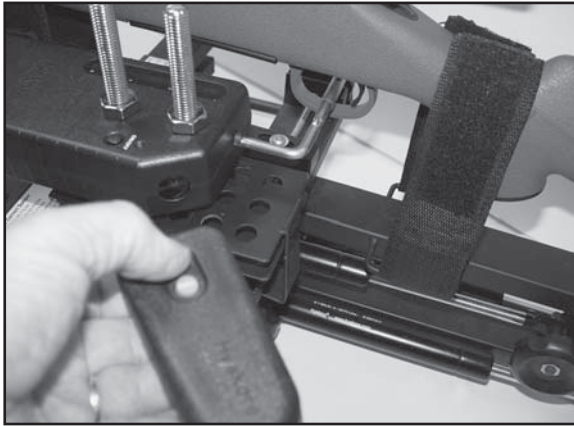
2



Insert the mounting bolts all the way through the drive unit and the bracket. Hand tighten the nuts to secure. Over tightening is unnecessary and may damage the unit. To elevate the unit use hex nuts as spacers between drive and bracket.

Make certain the gun is unloaded until ready to fire!

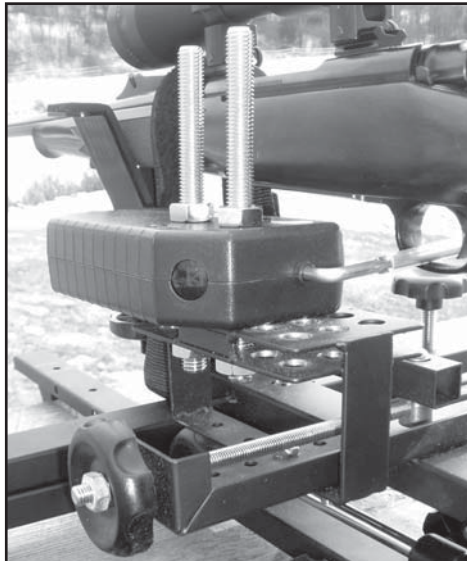
3 Set Default



The default should be set so that the push bar is about $\frac{3}{8}$ " (8mm) away from the trigger. With the gun unloaded, while you are in the process of advancing or retracting the push bar (by pushing one of the buttons on the activator) simply push and hold the other button when the push bar reaches the desired point. ie, you must push both buttons at the same time to set the default position. The default will be instantly set at that point.

Make certain the gun is unloaded until ready to fire!

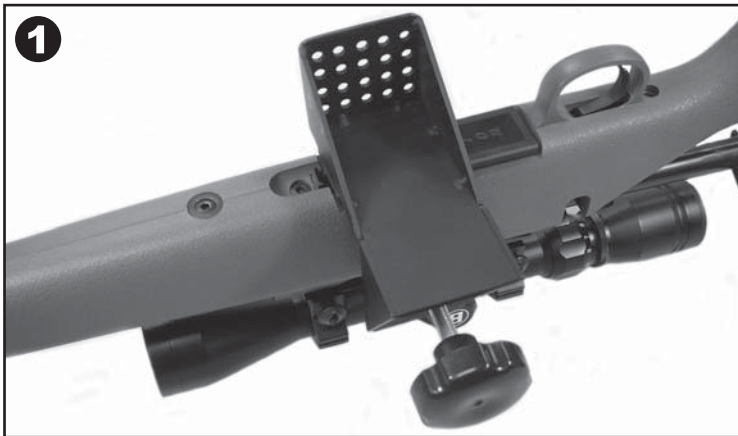
4 Dry Cycle Before Firing



With the gun unloaded step back and press the button on the controller to confirm correct trigger contact, make certain that the gun is firmly secured. Operate the device for one or two cycles to confirm all settings. You are now ready to load the gun.

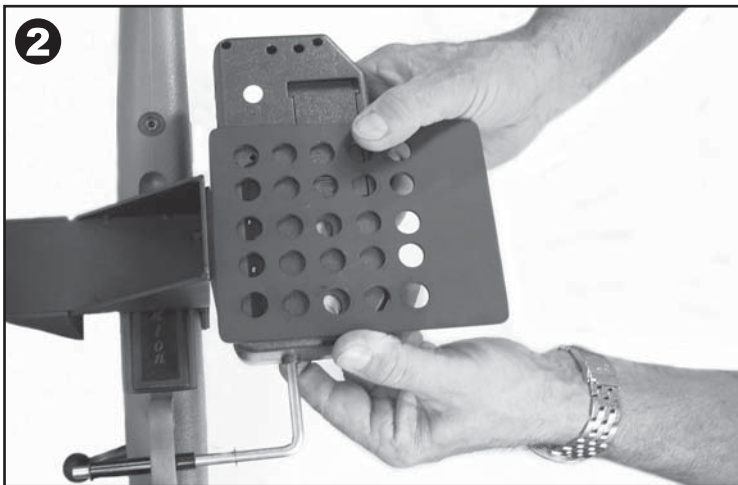
Fitting The Clamp and Drive To Your Gun. Attachment To Bolt Action or Semi Auto Guns

Make certain the gun is unloaded during all fitting and installation steps. Do not load the gun until all details have been confirmed and you are in a safe position behind the gun.

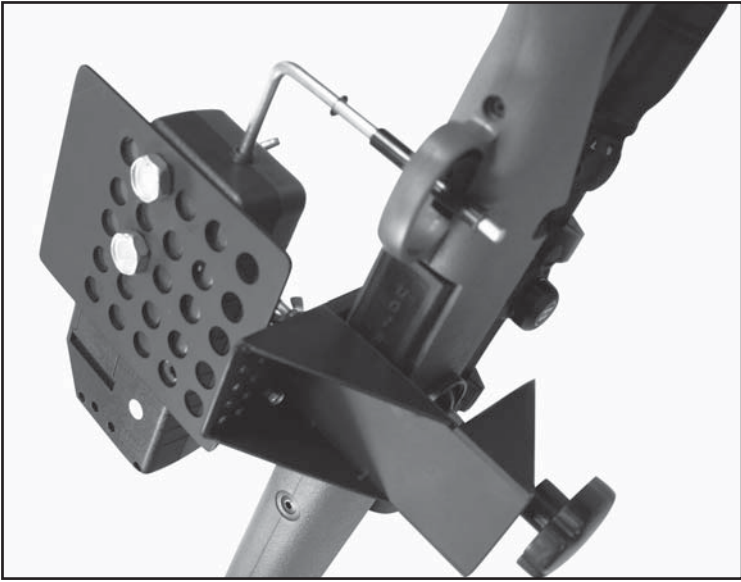


With the gun inverted (Bottom Side Facing Up) loosely fit the clamp to the gun with the knobs on the right side as this will position the drive with it's controls facing up and therefore accessible.

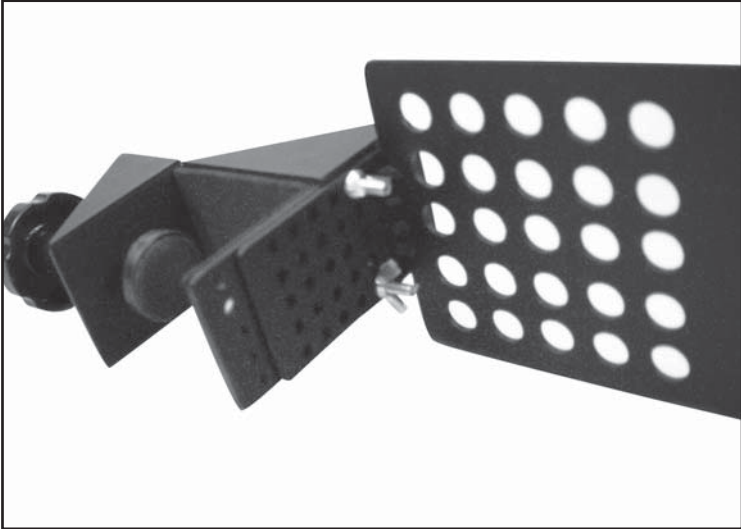
At this point it should be noted that the use of a vise (Hyskore's # 30022 Cleaning & Sighting Vise works well for this), or having an assistant handy, makes the job easier.



Match the small hole flange of the bracket with the small hole surface of the clamp. Hold the drive against the large hole side of the bracket and place the push bar through the trigger guard ahead of the trigger. You can now align the 2 small hole halves and the large hole side of the bracket with the holes in the drive unit to see where the mounting bolts need to be placed so that the push bar is in the correct position. NOTE: It may be necessary to reset the default position of the push bar to get correct relief from the trigger. Make sure that the gun is in full contact with the pad in the bottom of the clamp. This Helps stabilize the unit. When everything is positioned correctly, hand tighten the wing nuts. Now tighten the large knob on the clamp. It should be tight enough so that it doesn't slide during operation of the drive unit. Overtightening may result in bending the vise screw and spreading the clamp.



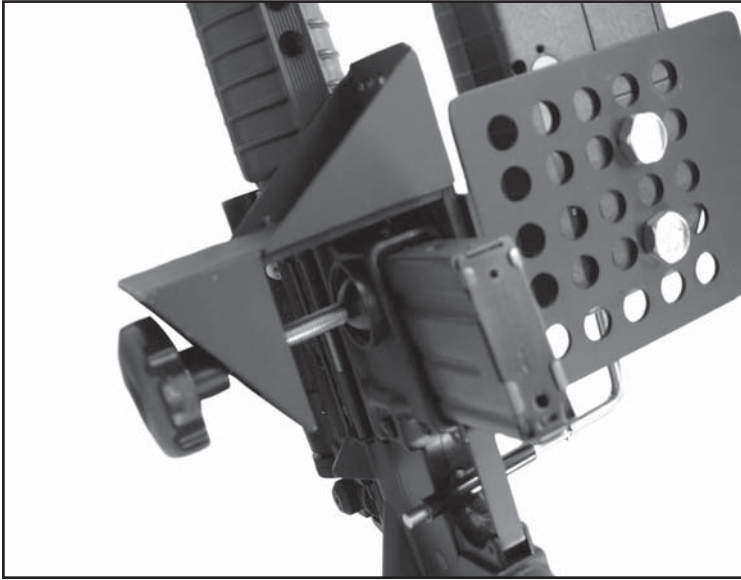
Clamp grips the stock forward of the trigger guard.



Typical clamp/bracket configuration for bolt or semi auto gun

Dry cycle before firing to make certain all alignment and fit details are correct.

Attachment To An AR Type Gun



Clamp is rotated 90° and grips the magazine well.



Typical clamp/bracket configuration for AR type guns.

Attachment To An AK Type Gun

There are 2 mounting option for AK type guns.

Option A: Mounts over the magazine well with the magazine removed. In this mode rounds must be loaded one at a time, but it is the most secure.

Option B: Rotate the clamp 90° and clamp to the magazine. In this set-up there is less support for the assembly and as a result more flexing and movement not to mention the fact that excessive clamp pressure may stress internal magazine parts. This mounting arrangement will work, but it's not recommended.

Option "A" Mount To Magazine Well



Set up and attachment are similar to to a bolt action set up.



Typical clamp/bracket configuration for magazine well mounting on an AK type gun.

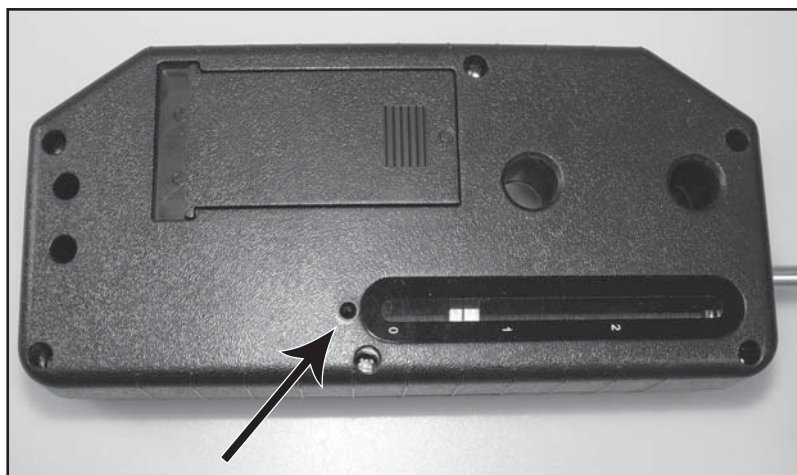
Option “B” Mount To Magazine



An **Important** Consideration For AK Type Guns Is To Confirm That The Bolt Handle Clears All Parts Of The Clamp Before Loading and Firing.

If The Bolt Handle Slams Into The Device During Firing You Will Probably Not Be Pleased With The Result.

Lubricate



The drive unit should be lubricated after every 5th battery change. Note the lubrication port (near the battery cover). Use only one or two drops of acid free machine oil. Sewing machine oil works well. Do Not use WD-40 as it leaves residue.

THIS DEVICE WILL WORK WITH ALMOST ANY REST.



Replacement Parts



Activator..... \$22.50

visit our website: www.hyskore.com

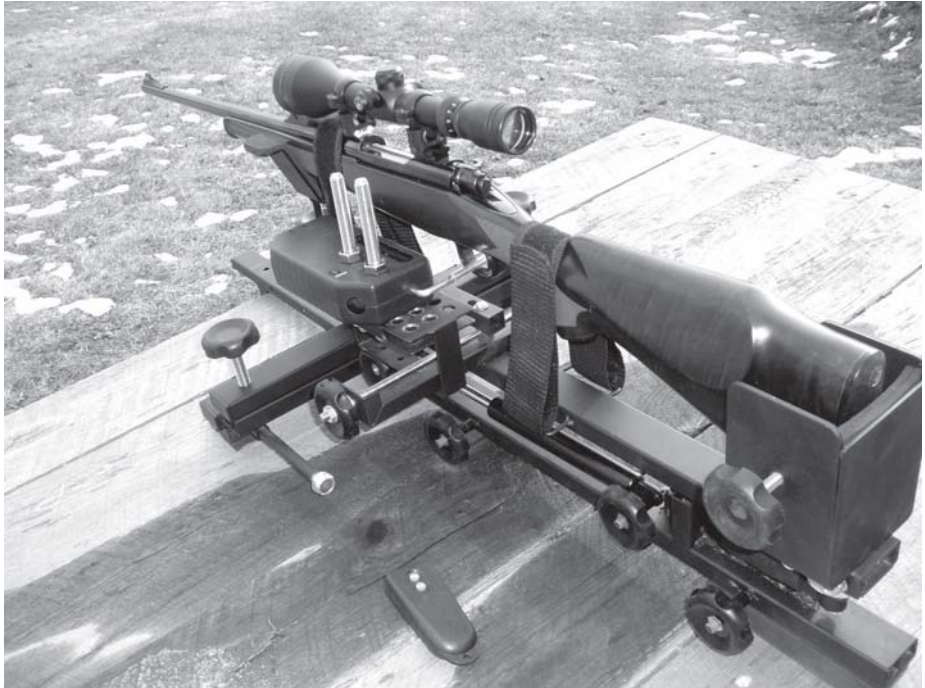
Send Check or Money Order with Phone Number to:

Power Aisle, Inc.
193 West Hills Rd.
Huntington Station NY, 11746
NYS Resident add appropriate Sales Tax

** \$5.00 Shipping & Handling to
Lower 48 States**
** \$7.50 Shipping & Handling to
Alaska, Hawaii, Puerto Rico**

Hyskore®

www.hyskore.com



Infra Red remote control trigger release mounted on the Hyskore® #30013 Dangerous Game® Machine Rest.

Visit Our Website For More Information or to Check Out Our Other Great Shooting Accessories: www.hyskore.com

WARRANTY AND DISCLAIMERS

HYSKORE®/Power Aisle, Inc. guarantees that its products are free from defects in material and workmanship for a period of 1 year (12 months) from the original date of purchase. This Warranty applies to non-commercial use only. Commercial use voids this warranty. In the event of any defects in material or workmanship, HYSKORE®/Power Aisle, Inc.'s sole liability therefore shall be the replacement of any such product(s) and/or components that are defective in material or workmanship. The replacement of any such product(s) and/or components shall be HYSKORE®/Power Aisle, Inc.'s sole responsibility. This warranty specifically excludes any and all consequential or accidental damages. No other warranties or liabilities whatsoever are either expressed or implied. If any such warranties shall be imposed by law, not withstanding this provision, then such warranties shall be the responsibility of HYSKORE®/Power Aisle, Inc.'s immediate buyer. There shall be no warranties of merchantability, use of trade, or fitness for a particular purpose. Alteration of any product, misuse, or exceeding any stated product limitations voids this warranty. All returns, adjustments, etc. are the responsibility of the retailer/dealer that sold the product. HYSKORE®/Power Aisle, Inc. handles return issues through it's dealers. It should be obvious when using some of these products that approved protective safety gear, including, but not limited to, eye and ear protection, should be utilized. Using the appropriate safety gear is the sole responsibility of the person(s) using the product. It should also be obvious that certain products such as silica gel, etc. must not be consumed, inhaled or taken internally. The user takes full responsibility for inappropriate or incorrect use of these items. In the event an inadvertent event takes place, Material Safety Data Sheets (MSDS) are available on the HYSKORE® website, www.hyskore.com. We do not sell guns, scopes, ammunition, cleaning accessories, etc. These accessories are used in many of our product pictures, as props to illustrate how the products are used. As such, they are not included with any product. All photographs, drawings, copy, instructions, etc. are the exclusive property of HYSKORE®/Power Aisle, Inc. All downloadable files are intended for the use of the end user of HYSKORE®/Power Aisle, Inc.'s products and cannot be reproduced without the express written permission of HYSKORE®/Power Aisle, Inc.