

Hyskore®

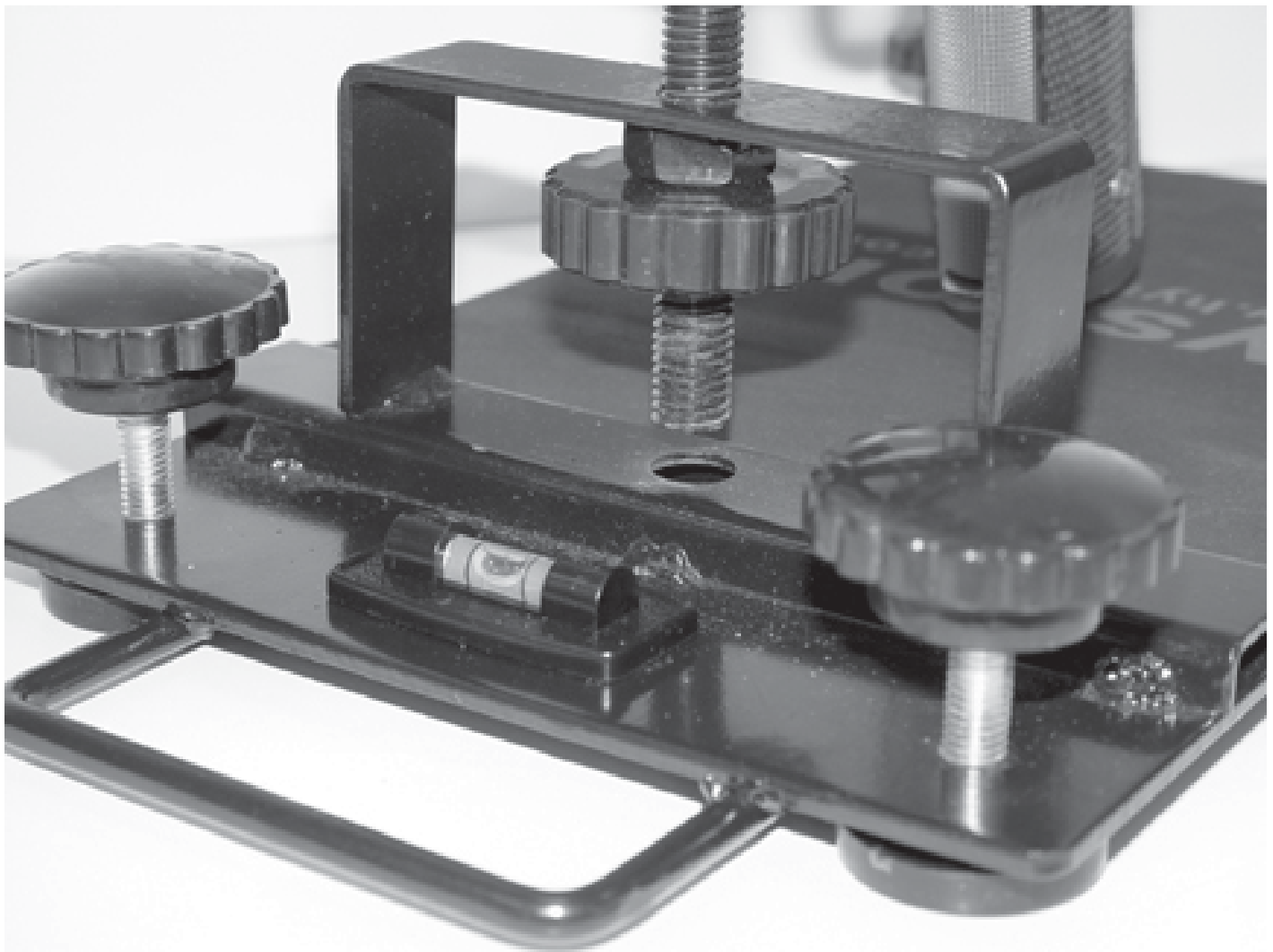
Low Profile Shooting Rest

30033



This rest works with both Hand Guns and Long Guns and includes several desirable features:

- A) Foam Padded "V" Notch Rest included
- B) Foam Padded Pedestal rest for use with sandbags included
- C) The shooting platform adjusts to within 3" of the base and 3 3/4" of the bench top
- D) 4 point leveling with an integral bubble level
- E) Foam Padded Hand Rest area



Assembly:

1. Fix the adhesive backed level as pictured.
2. Screw the threaded stem of the leveling jacks through the base as pictured.
Place the leveler base, **cup side facing down**. On the end and fasten with a Phillips screwdriver. **Do Not Over Tighten!** 1 or 2 Lbs. / Ft of Torque (just snug) will do.
Snap the feet over the bases.



Pedestal

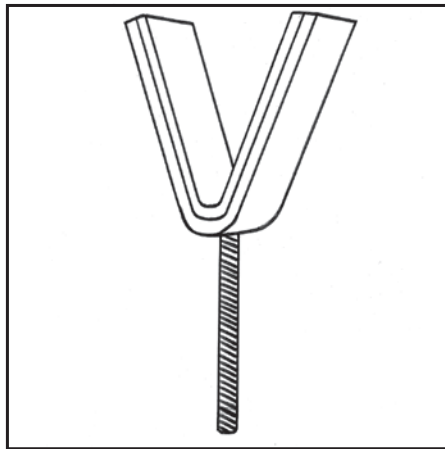


"V" Notch

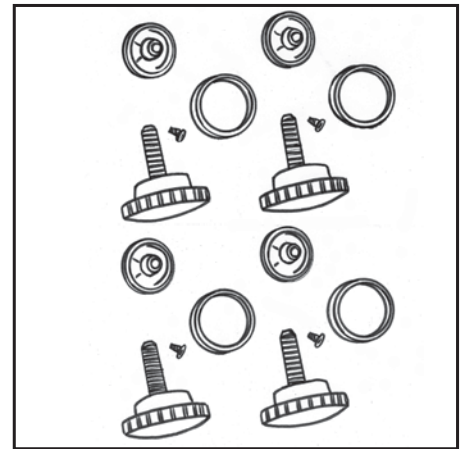
REPLACEMENT PARTS



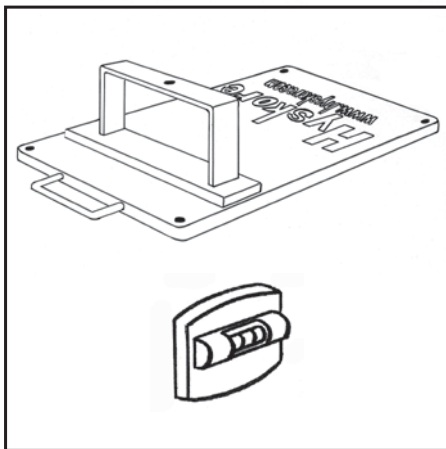
30033 - 1



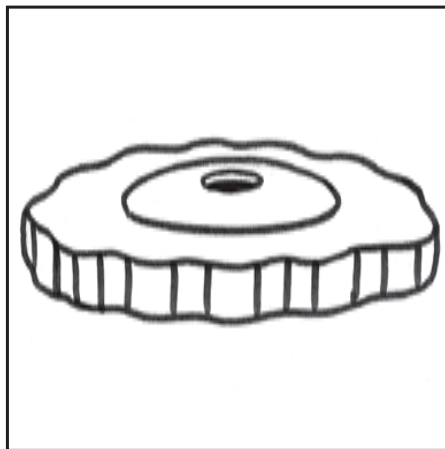
30033 - 2



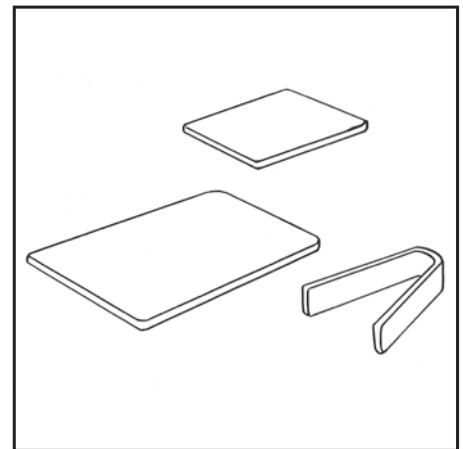
30033 - 3



30033 - 4



30033 - 5



30033 - 6

Parts List:

30033 - 1	Pedestal	\$ 12.50
30033 - 2	"V" Notch	\$ 12.50
30033 - 3	Leveling Jacks (Set of 4)	\$ 12.00
30033 - 4	Base & Level	\$ 15.00
30033 - 5	Lock Knob	\$ 7.50
30033 - 6	Foam Pad Set	\$ 7.50

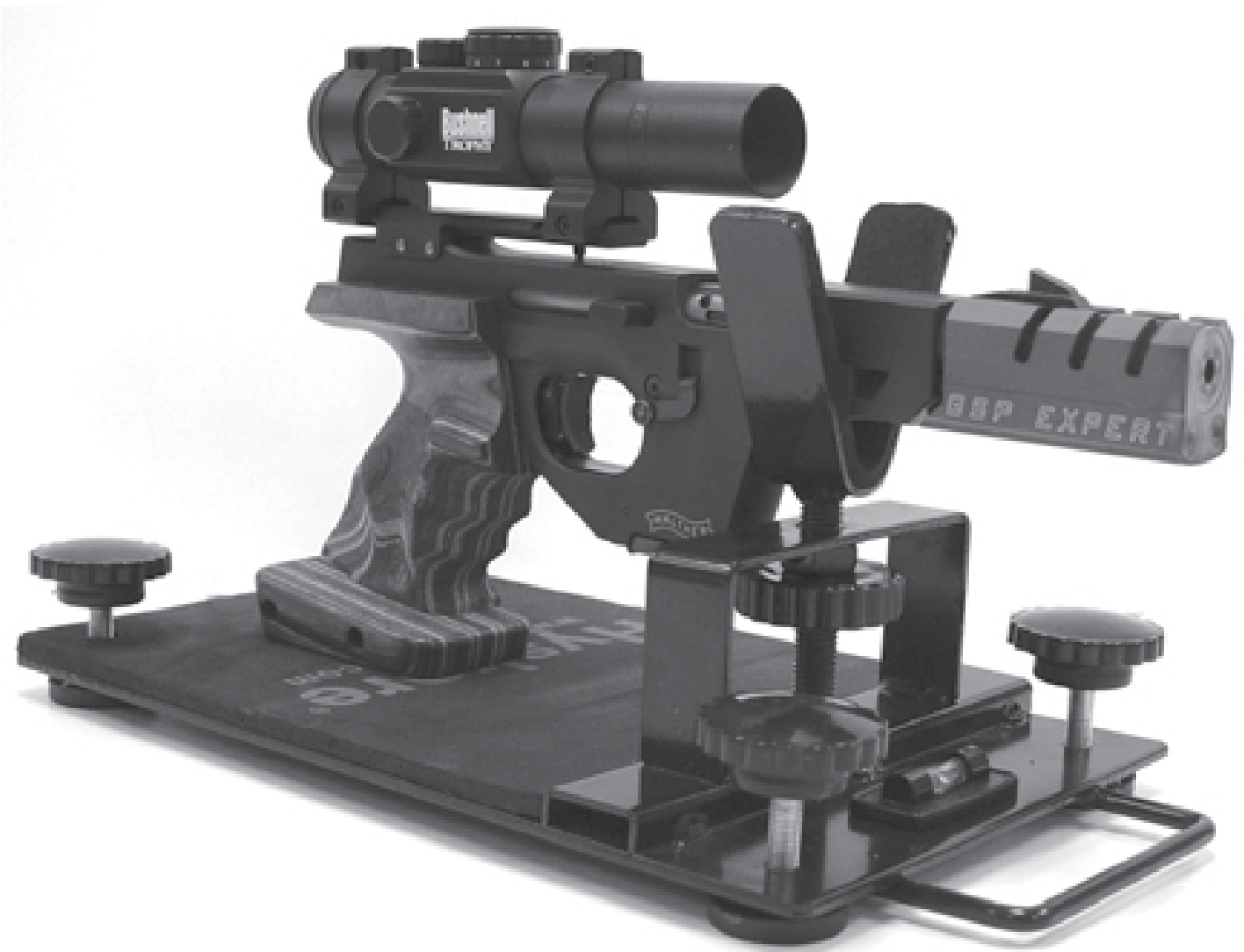
visit our website: www.hyskore.com

Send Check or Money Order
with Phone Number to:

Power Aisle, Inc.
193 West Hills Rd.
Huntington Station NY, 11746
NYS Resident add appropriate Sales Tax

** \$10.00 Shipping & Handling to
Lower 48 States**

** \$25.00 Shipping & Handling to
Alaska, Hawaii, Puerto Rico**



visit our website: www.hyskore.com

LIMITED LIABILITY and WARRANTY

POWER AISLE, INC. / HYSKORE GUARANTEES THAT ITS PRODUCTS ARE FREE FROM DEFECT IN MATERIAL & WORKMANSHIP. IN THE EVENT OF ANY DEFECTS IN MATERIAL OR WORKMANSHIP, POWER AISLE, INC. / HYSKORE'S SOLE LIABILITY THEREFORE SHALL BE THE REPLACEMENT OF ANY SUCH PRODUCT(S) THAT ARE DEFECTIVE IN MATERIAL OR WORKMANSHIP. THE REPLACEMENT OF ANY SUCH PRODUCT(S) SHALL BE POWER AISLE, INC. / HYSKORE'S SOLE RESPONSIBILITY. THIS WARRANTY SPECIFICALLY EXCLUDES ANY & ALL CONSEQUENTIAL OR ACCIDENTAL DAMAGES. NO OTHER WARRANTIES OR LIABILITY WHATSOEVER, ARE EITHER EXPRESSED OR IMPLIED. IF ANY SUCH WARRANTIES SHALL BE IMPOSED BY LAW NOT WITHSTANDING THIS PROVISION, THEN SUCH WARRANTIES SHALL BE THE RESPONSIBILITY OF POWER AISLE, INC. / HYSKORE'S IMMEDIATE BUYER. THERE SHALL BE NO WARRANTIES OF MERCHANTABILITY, USE OF TRADE, OR FITNESS FOR A PARTICULAR PURPOSE. ALTERING THIS PRODUCT, MISUSING IT OR EXCEEDING ANY STATED PRODUCT LIMITATIONS VOIDS THIS WARRANTY.