

Parts Order Form For # 30023 Stand-Up Shooting Table

POWER AISLE, INC.

193 West Hills Road • Huntington Station • NY • 11746

SOLD TO: _____
 Shipping Address: _____
 City: _____
 State & Zip Code: _____
 Phone #: (____) _____
 Date: ____/____/____

Check if Shipping & Billing Address are the same
 Ship To: _____
 Billing Address: _____
 City: _____
 State & Zip Code: _____
 Phone #: (____) _____

| Item # | Description | Quantity | Cost | Total |
|--------------------------------|---------------------------|---|---------|-------|
| 30023-1 | Leg Set | | \$32.50 | |
| 30023-2 | Feet - Set of 4 | | \$ 5.00 | |
| 30023-3 | Cross Braces 2 Pc. Set | | \$22.50 | |
| 30023-4 | Hardware Set | | \$ 7.50 | |
| 30023-5 | Table Top | | \$35.00 | |
| 30023-6 | Scope Stand Set | | \$32.50 | |
| 30023-7 | Gun Rest Set | | \$32.50 | |
| 30023-8 | Socket Brace | | \$17.50 | |
| 30023-9 | Table Braces | | \$22.50 | |
| | | | | |
| | | | | |
| | | | | |
| SHIPPING & HANDLING | | ** \$10.00 Shipping & Handling to Lower 48 States** ** \$25.00 Shipping & Handling to Alaska, Hawaii, Puerto Rico** | | |

VISA MASTERCARD

Credit Card # _____

Expiration Date: _____ OR _____

Send Check or Money Order with Phone Number to:

Power Aisle, Inc.

193 West Hills Rd.

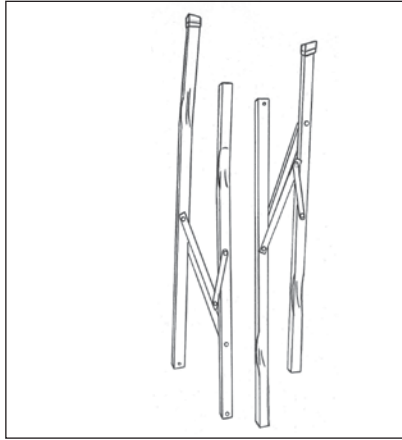
Huntington Station NY, 11746 • Phone # (631) 673-5975 Fax: (631) 673-5976

TAX: NYS Resident add
8.625% Sales Tax or Prevailing Rate

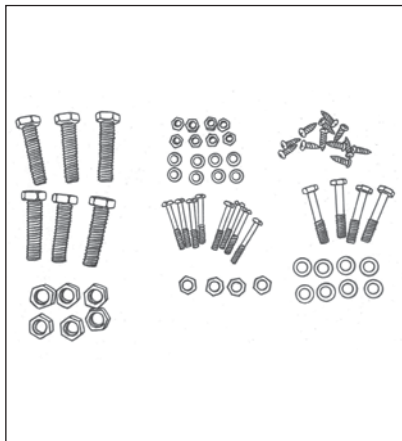
TOTAL: _____

• PARTS IDENTIFICATION •

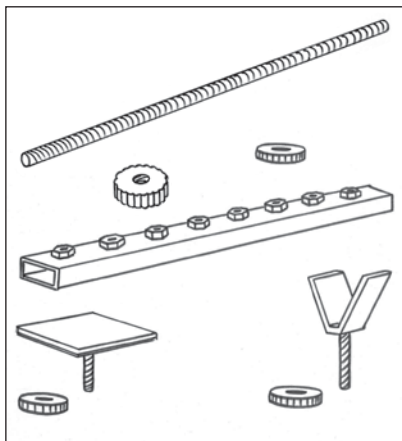
30017 - 1



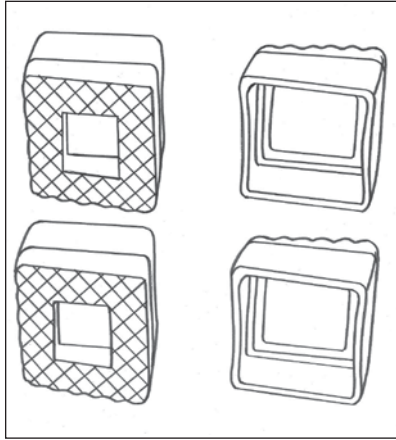
30017 - 4



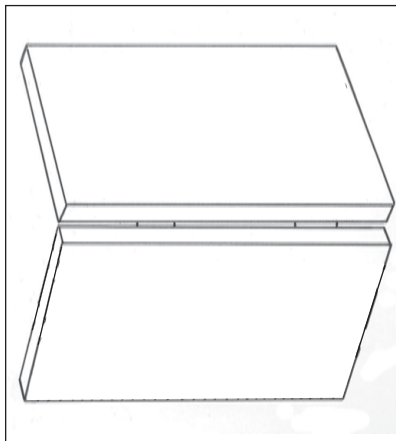
30017 - 7



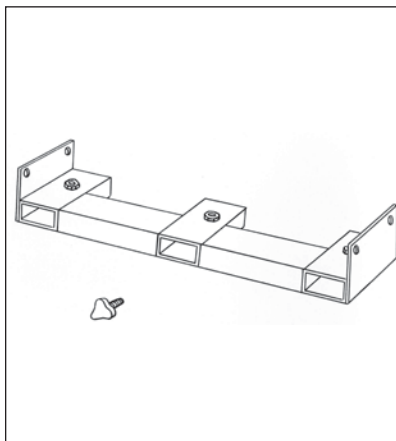
30017 - 2



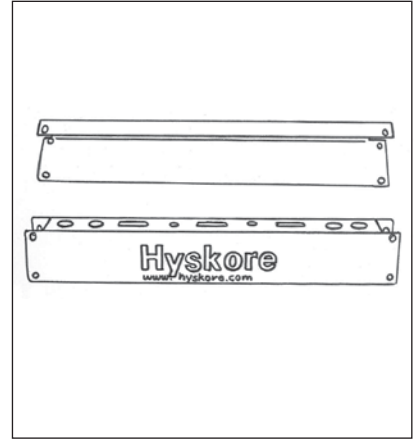
30017 - 5



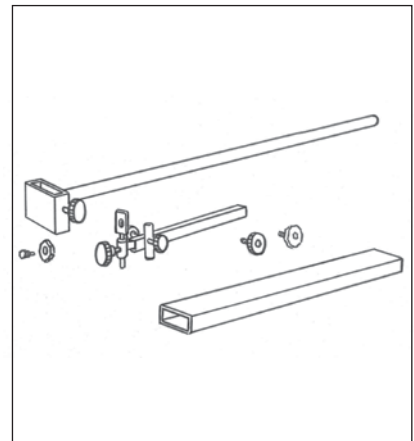
30017 - 8



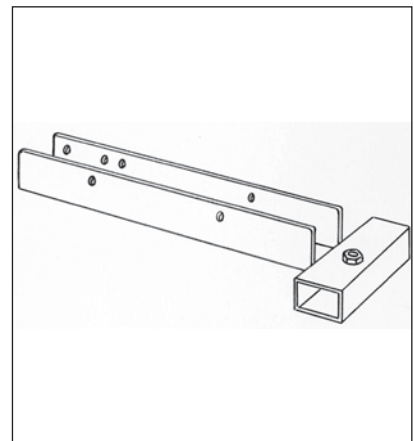
30017 - 3



30017 - 6



30017 - 9



| | | |
|-----------|------------------------|----------|
| 30023 - 1 | Leg Set | \$ 32.50 |
| 30023 - 2 | Feet - Set of 4 | \$ 5.00 |
| 30023 - 3 | Cross Braces 2 Pc. Set | \$ 22.50 |
| 30023 - 4 | Hardware Set | \$ 7.50 |
| 30023 - 5 | Table Top | \$ 35.00 |
| 30023 - 6 | Scope Stand Set | \$ 32.50 |
| 30023 - 7 | Gun Rest Set | \$ 32.50 |
| 30023 - 8 | Socket Brace | \$ 17.50 |
| 30023 - 9 | Table Braces | \$ 22.50 |