

Figure #1

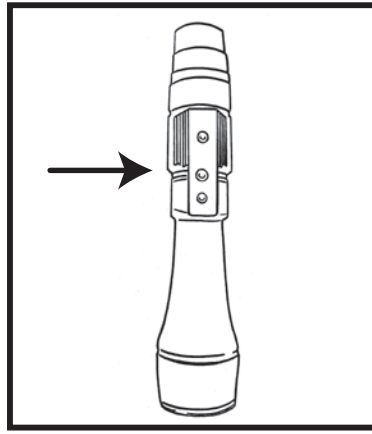


Figure #2

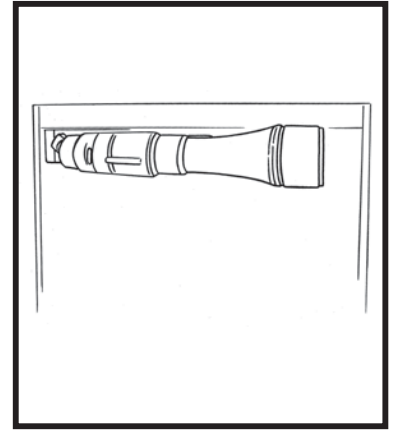


Figure #3

This Scope Mount is designed to attach to a vertical surface and allow a wide range of height and angle positions. It's primary application is to allow for mounting a spotting scope to a competition pistol case (such as our #30004) See figure #1. In addition it has a storage position. See figure #3

The mounting flange can be installed in any location. However, the upper left hand corner of the door (see figure #1) is the best spot as it will allow for maximum elevation and will position the scope best for storage.

Installation:

Most modern spotting scopes have a 1/4" x #20 female threaded mounting lug or screw boss. See figure #2 The shoulder bolt on the dial locking knob in this kit is 1/4" x #20 and will fit this fitting. In the unlikely event that the scope has a different size thread, it must be drilled and tapped to 1/4" x #20.

Mount the scope to the arm with the locking knob. Position the scope and mount in the case and rotate the scope through all positions and the storage position. If you are fortunate enough to have our # 30004 case this can be accomplished by viewing through the rear access door. This will indicate the best mounting location for your particular scope / case combination. Mark the location for the 4 mounting holes. Using a 3/16" drill make 4 holes. From the outside insert the screws through the holes and hand tighten into the treaded holes in the mounting flange. After all 4 screws are threaded, tighten with a screwdriver. **DO NOT OVER TIGHTEN!**