

# Parts Order Form For # 30003 Precision Sighting Rest

## POWER AISLE, INC.

193 West Hills Road • Huntington Station • NY • 11746

SOLD TO: \_\_\_\_\_  
 Shipping Address: \_\_\_\_\_  
 City: \_\_\_\_\_  
 State & Zip Code: \_\_\_\_\_  
 Phone #: (\_\_\_\_) \_\_\_\_\_  
 Date: \_\_\_\_/\_\_\_\_/\_\_\_\_

Check if Shipping & Billing Address are the same  
 Ship To: \_\_\_\_\_  
 Billing Address: \_\_\_\_\_  
 City: \_\_\_\_\_  
 State & Zip Code: \_\_\_\_\_  
 Phone #: (\_\_\_\_) \_\_\_\_\_

Item #	Description	Quantity	Cost	Total
30003-1	Gas Damper			\$37.50
30003-2	Bench Grip Arm			\$27.50
30003-3	Butt Socket			\$26.50
30003-4	Velcro Strap (2)			\$22.50
30003-5	Forearm Rest			\$22.50
30003-6	Lower Frame			\$60.00
30003-7	Windage Screw Assembly			\$27.50
30003-8	Carrier Assembly			\$72.50
30003-9	Hydraulic Trigger Release			\$37.50
30003-10	Elevation Screw (2)			\$22.50
30003-11	Fine Elevation Screw Assembly			\$27.50
30003-12	Guide Block (2)			\$22.50
<b>SHIPPING &amp; HANDLING</b>		** \$17.50 Shipping & Handling to Lower 48 States** ** \$45.00 Shipping & Handling to Alaska, Hawaii, Puerto Rico**		

VISA     MASTERCARD

**TAX:** NYS Resident add 8.75% Sales Tax or Prevailing Rate

Credit Card # \_\_\_\_\_

Expiration Date: \_\_\_\_\_ OR \_\_\_\_\_

Send Check or Money Order with Phone Number to:

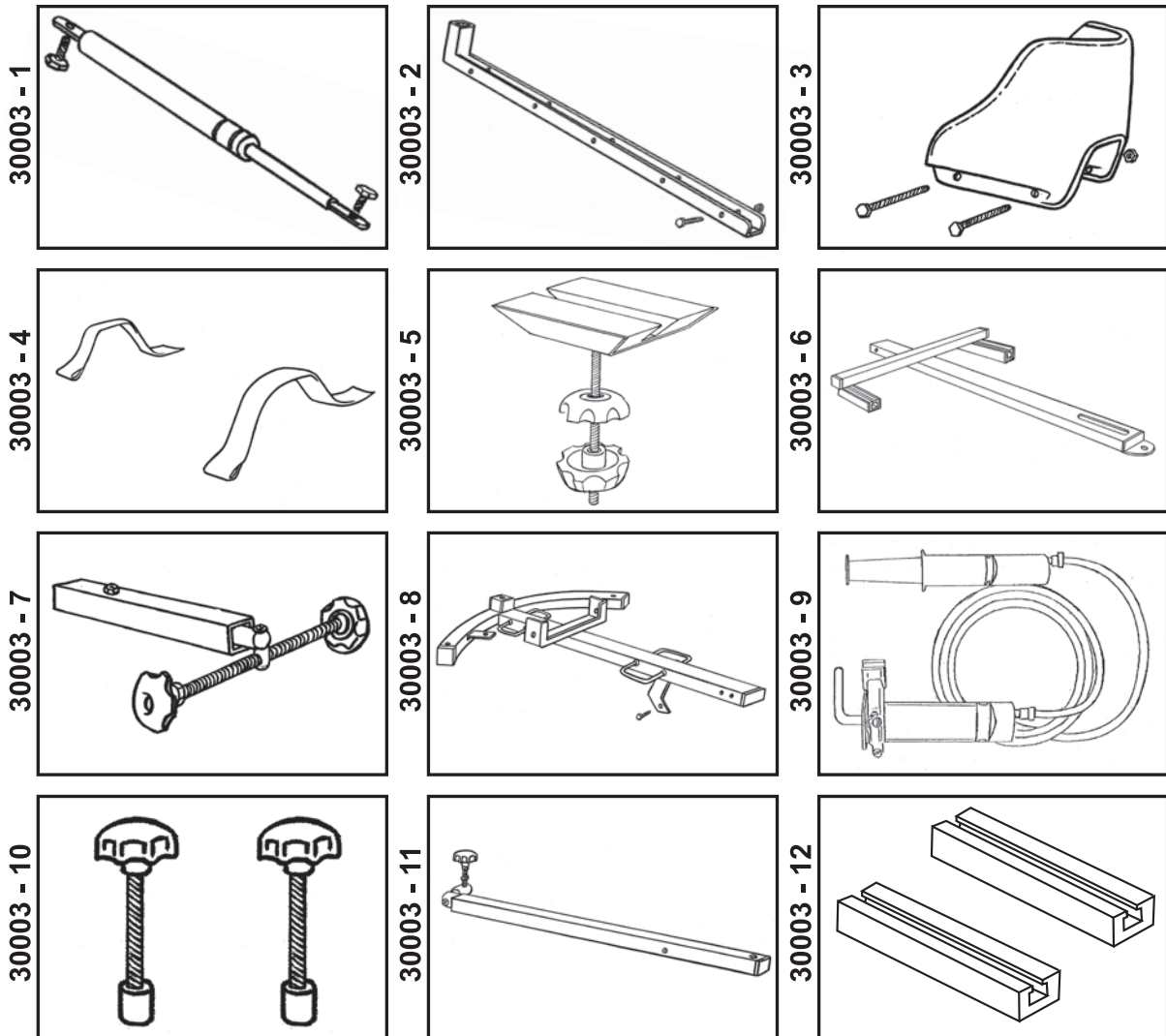
**Power Aisle, Inc.**

193 West Hills Rd.

Huntington Station NY, 11746 • Phone # (631) 673-5975 Fax: (631) 673-5976

**TOTAL:** \_\_\_\_\_

# Parts Identification & Price List



## Parts List:

30003 - 1	Gas Damper	\$ 37.50
30003 - 2	Bench Grip Arm	\$ 27.50
30003 - 3	Butt Socket	\$ 26.50
30003 - 4	Velcro Strap (2)	\$ 22.50
30003 - 5	Forearm Rest	\$ 22.50
30003 - 6	Lower Frame	\$ 60.00
30003 - 7	Windage Screw Assembly	\$ 27.50
30003 - 8	Carrier Assembly	\$ 72.50
30003 - 9	Hydraulic Trigger Release	\$ 37.50
30003 - 10	Elevation Screw (2)	\$ 22.50
30003 - 11	Fine Elevation Screw Assembly	\$ 27.50
30003 - 12	Guide Block (2)	\$ 22.50